

**111F**

**G**

# ROOVED END BUTTERFLY VALVE

**175 PSI (12.5 Bar) 3"-8" (80-200mm)**  
 Ductile cast iron  
 Roll grooves acc.  
 ANSI/AWWA C 606-97

**LONG LIFE VALVES**



**LISTED**

**APPROVED**

**PENDING**



## Products

Type	Operation	Nominal size					
		mm	50	80	100	150	200
		inches	2"	3"	4"	6"	8"
001	Gear		✱	✱	✱	✱	✱

**Disc Lining: EPDM**

## Description

### Coating

Fusion bonded coating.

### Split Shaft:

- Without any pins or bolts pinned on the disc.
- Square ends ensuring maximum transfer of torque during open/close operation.

### Disc:

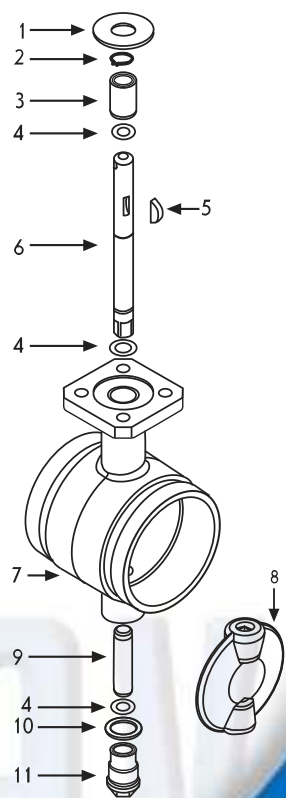
- Fully vulcanized disc.
- Very low head loss.

### Gear:

- Powerful low ratio gear with limit switches.
- Option - IP65.

### Advantages

- Easy and quick installation with two couplings
- Cost effective installation for no need of counter flanges and welding
- Low operating torques
- Light weight
- Fits to all universal accepted standards.
- Body coated with corrosion proof.

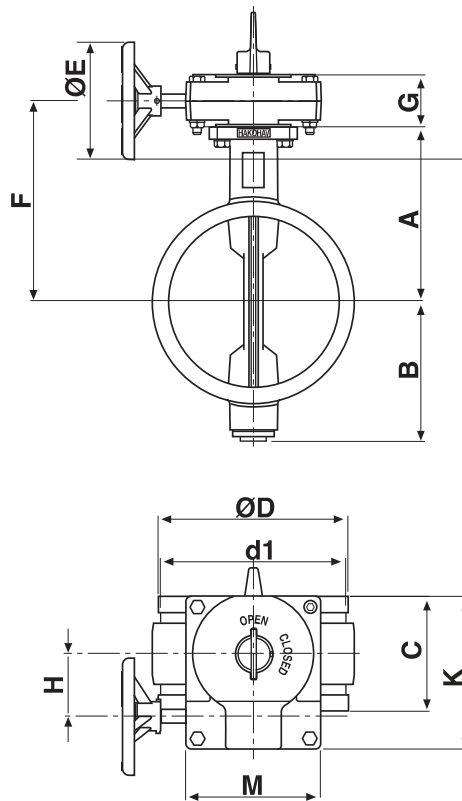


Material Specification		
1	Washer	Steel SAE 1020
2	Circlip	Carbon Spring Steel
3	Bush	Brass ASTM C385
4	O-Ring	EPDM
5	Woodruff Key	Steel
6	Shaft-Top	Stainless Steel 416
7	Body	Ductile Iron
8	Disc	Brass / Ductile Iron & EPDM
9	Shaft-Bottom	Stainless Steel 416
10	Sealing Ring	Fibre
11	Bush	Brass

**Applications for:** F i r e f i g h t i n g s y s t e m s

# 111F GROOVED END BUTTERFLY VALVE 175 PSI (12.5 Bar)

## Dimensions (mm)



111F - Gear operated

111F Dimensions Table

	Dimension	DN			
	mm	80	100	150	200
	inches	3"	4"	6"	8"
111F	A	120	135	176	202
	B	86	102	139	161
	C	97	116	148	133
	ØD	88.9	114	168.3	219
	d1	85	110	163.8	214.4
	E	135	135	215	215
	F	151	163	204	232
	G	60	60	60	60
	H	72	72	72	72
	M	156	156	156	156
	K	176	176	176	176

Dimensions and weight can be changed without notification.